

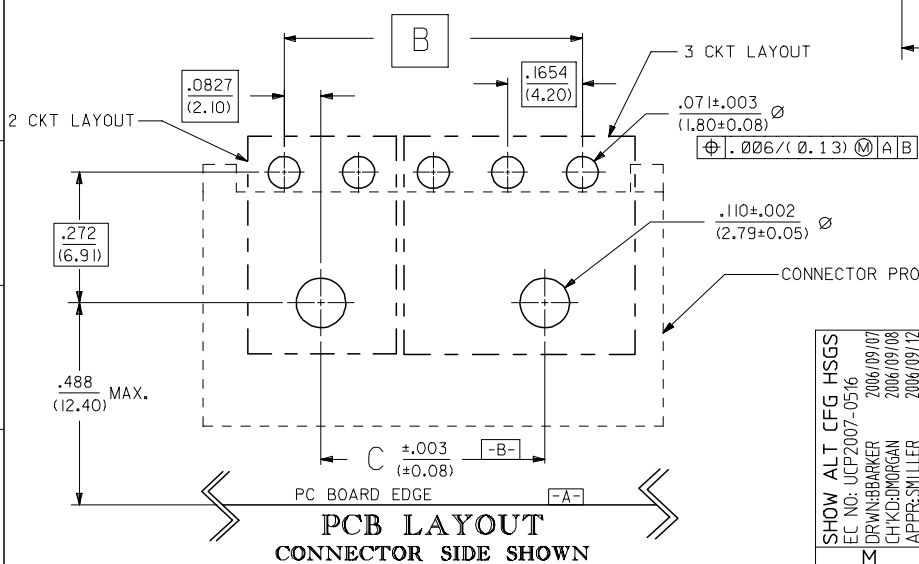
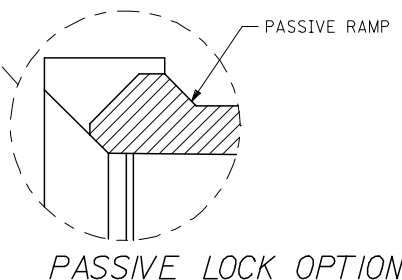
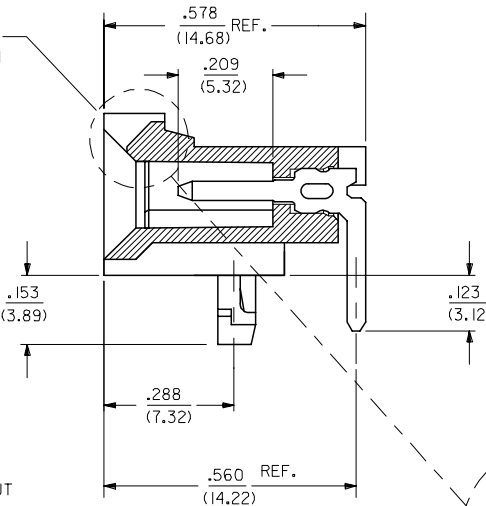
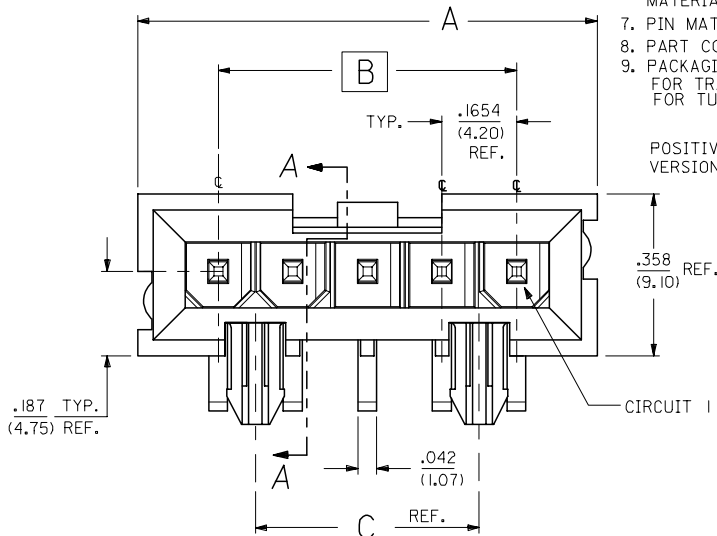
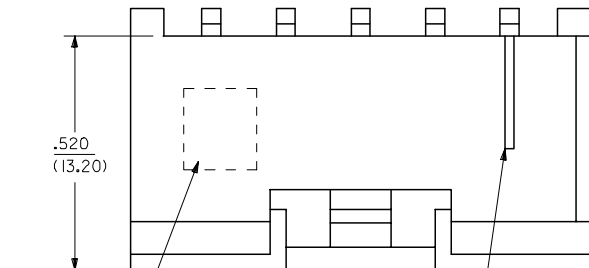
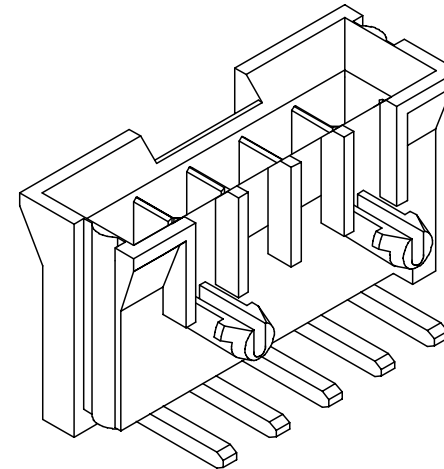
**NOTES:**

1. ASSEMBLY NO. 71233-0007 SHOWN FOR ILLUSTRATION.
2. MATES WITH PART NO. 71694-\*\*\*\*, AND 5557-\*\*.
3. SEE FOLLOWING PAGES FOR PART NOS. & CONFIGURATIONS.
4. FINISHES (SEE CHARTS):  
 TIN OVERALL - .000150/(0.0038) MINIMUM TIN OVERALL, OVER NICKEL UNDERPLATING OVERALL.  
 30 GOLD - .000030/(0.00076) MINIMUM SELECT GOLD AND .000100/(0.00254) MINIMUM SELECT TIN OVER NICKEL UNDERPLATING OVERALL.  
 15 GOLD - .000015/(0.00038) MINIMUM SELECT GOLD AND .000150/(0.0038) MINIMUM SELECT TIN OVER NICKEL UNDERPLATING OVERALL.
5. ITEM NO'S PRECEDED BY AN 'X' IN THE CHARTS ARE NOT AVAILABLE.
6. HOUSING MATERIAL: HIGH TEMP. 94V-0 GLASS FILLED POLYESTER MATERIAL COLOR: WHITE.
7. PIN MATERIAL: BRASS.
8. PART CONFORMS TO SPECIFICATION NO. PS-71690-001.
9. PACKAGING SPECIFICATIONS:  
 FOR TRAY, SEE PK-71232-0000  
 FOR TUBE, SEE PK-71233-0000

10. LOCATION FOR .25/(6.4) TALL 'T' FOR 71233-5005.

**NOTE FOR LEAD FREE CONVERSION:**

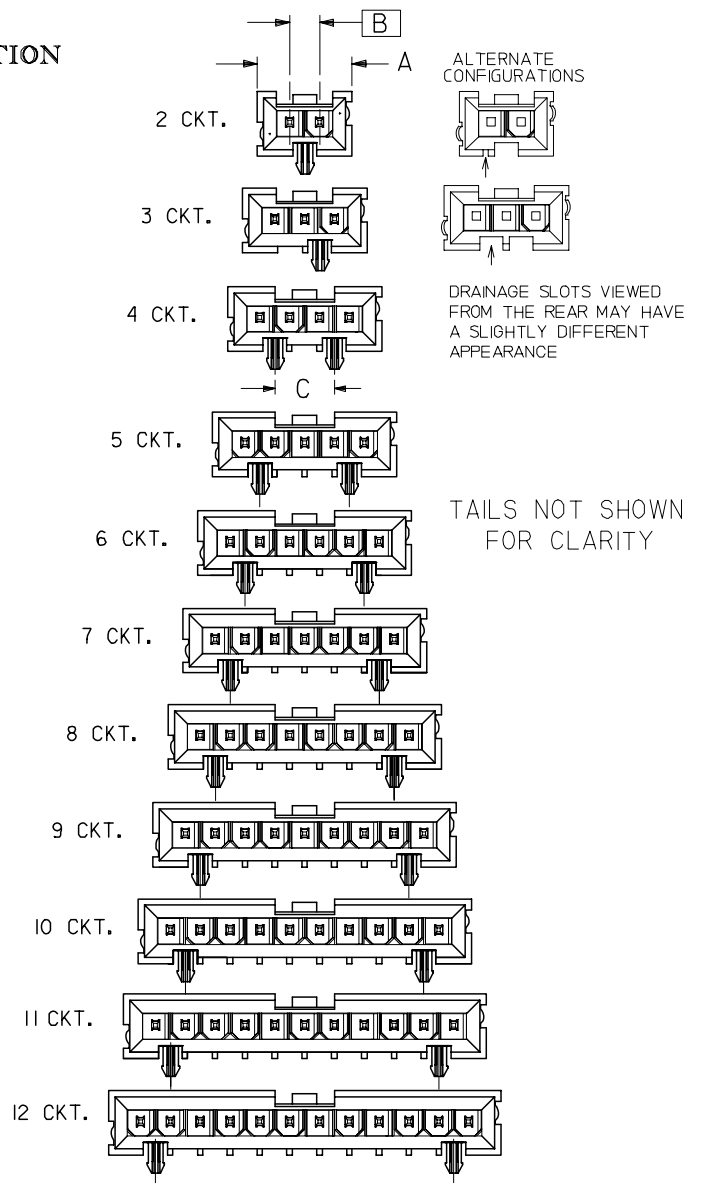
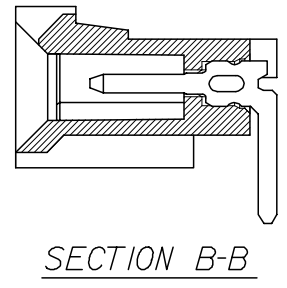
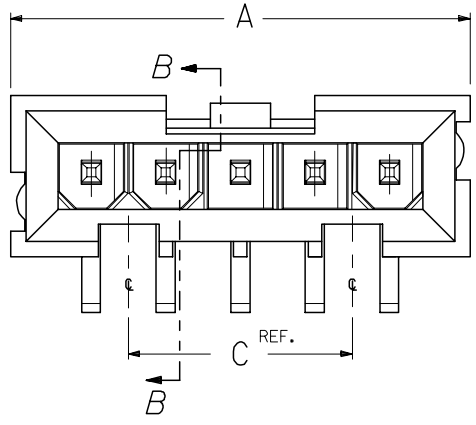
THE PRIMARY SHIPPING CARTON WILL BE LABELED "COMPLIANT TO RoHS DIRECTIVE 2002/95/EC AND ELV ANNEX II OF DIRECTIVE 2000/53/EC". CARTONS WITHOUT THIS LABEL MAY CONTAIN PRODUCT WITH LEAD.



4	L
3	L
2	M
1	M
SHT	REV

SHOW ALT CFG HSGS FC NO: UCP2007-0516 2006/09/07 DRAWN: BARKER 2006/09/08 CHK'D: MORGAN 2006/09/08 APPR: SMILLER 2006/09/12	QUALITY SYMBOLS ▽=0 ▽=0	GENERAL TOLERANCES (UNLESS SPECIFIED) mm INCH 4 PLACES ± --- ± --- 3 PLACES ± --- ± .010 2 PLACES ± 0.25 ± .015 1 PLACE ± 0.38 ± --- ANGULAR ±1/2°	DIMENSION STYLE IN/MM DRAWN BY: RWB DATE: 8/2/93 CHECKED BY: PAR DATE: 8/2/93 APPROVED BY: FAH DATE: 8/2/93	SCALE: 5:1 DESIGN UNITS: INCH THIRD ANGLE PROJECTION	RIGHT ANGLE THRU HOLE MINI-FIT HEADER MOLEX INCORPORATED MATERIAL NO. SDA-71233-**** DOCUMENT NO.	SHEET NO. 1 OF 4
	DRAFT WHERE APPLICABLE MUST REMAIN WITHIN DIMENSIONS		SEE TABLES		MOLEX INCORPORATED	
	THIS DRAWING CONTAINS INFORMATION THAT IS PROPRIETARY TO MOLEX INCORPORATED AND SHOULD NOT BE USED WITHOUT WRITTEN PERMISSION					
	M					

SEE SHEET 1 FOR ALL OTHER INFORMATION



# OVERALL DIMENSIONS

## ASSEMBLIES WITH & WITHOUT PEGS

SIZE	DIM. "A"		DIM. "B" BASIC		DIM. "C" REF.	
	INCH	(MM)	INCH	(MM)	INCH	(MM)
2	0.524	(13.31)	0.1654	(4.200)	N/A	N/A
3	0.689	(17.50)	0.3307	(8.400)	N/A	N/A
4	0.855	(21.71)	0.4961	(12.600)	0.330	(8.40)
5	1.020	(25.91)	0.6614	(16.800)	0.496	(12.60)
6	1.185	(30.10)	0.8268	(21.000)	0.661	(16.80)
7	1.351	(34.31)	0.9921	(25.200)	0.826	(21.00)
8	1.516	(38.50)	1.1575	(29.400)	0.992	(25.20)
9	1.682	(42.72)	1.3228	(33.600)	1.157	(29.40)
10	1.847	(46.91)	1.4882	(37.800)	1.322	(33.60)
11	2.012	(51.10)	1.6535	(42.000)	1.488	(37.80)
12	2.177	(55.30)	1.8189	(46.200)	1.653	(42.00)

SHOW ALT CFG HSG FCC NO: UCP2007-0516 DRAWN BY: BARKER 2006/09/07 CHKD: MORGAN 2006/09/08 APPR: MILLER 2006/09/12 M	QUALITY SYMBOLS ▽=0 ▽=0	GENERAL TOLERANCES (UNLESS SPECIFIED)		DIMENSION STYLE IN/MM		SCALE ---	DESIGN UNITS INCH	THIRD ANGLE PROJECTION
		4 PLACES ± --- ± ---	mm INCH	DRAWN BY RWB	DATE 8/2/93	TITLE SINGLE ROW RIGHT ANGLE THRU HOLE MINIFIT HEADER ASSEMBLY		
		3 PLACES ± --- ± .010		CHECKED BY PAR	DATE 8/2/93	MOLEX INCORPORATED		
		2 PLACES ± 0.25 ± .015 1 PLACE ± 0.38 ± --- ANGULAR ±1/2°		APPROVED BY FAH	DATE 8/2/93	MATERIAL NO. SEE TABLES	DOCUMENT NO. SDA-71233-****	
DRAFT WHERE APPLICABLE MUST REMAIN WITHIN DIMENSIONS		THIS DRAWING CONTAINS INFORMATION THAT IS PROPRIETARY TO MOLEX INCORPORATED AND SHOULD NOT BE USED WITHOUT WRITTEN PERMISSION		SHEET NO. 2 OF 4				

# HOUSINGS WITH PEGS

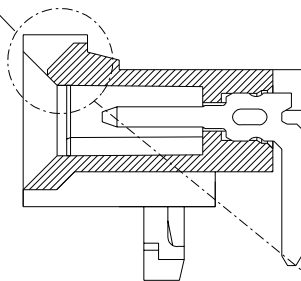
SIZE	STAT	ASSEMBLY ITEM NUMBER	PLATING SEE NOTE 4	
2		71233-0001	TIN OVERALL	
3		71233-0003		
4		71233-0005		
5		71233-0007		
6		71233-0009		
7		71233-0011		
8		71233-0013		
9		71233-0015		
10		71233-0017	30 GOLD	
11		71233-0019		
12		71233-0021		
2		71233-0101		30 GOLD
3		71233-0103		
4		71233-0105		
5		71233-0107		
6		71233-0109		
7		71233-0111		
8		71233-0113		
9		71233-0115		
10		71233-0117		
11		71233-0119		
12		71233-0121		

(POSITIVE LOCK, TRAY PACK)

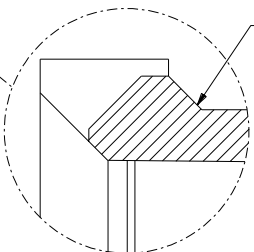
SIZE	STAT	ASSEMBLY ITEM NUMBER	PLATING SEE NOTE 4	
2		71233-0002	TIN OVERALL	
3		71233-0004		
4		71233-0006		
5		71233-0008		
6		71233-0010		
7		71233-0012		
8		71233-0014		
9		71233-0016		
10		71233-0018	30 GOLD	
11		71233-0020		
12		71233-0022		
2		71233-0102		30 GOLD
3		71233-0104		
4		71233-0106		
5		71233-0108		
6		71233-0110		
7		71233-0112		
8		71233-0114		
9		71233-0116		
10		71233-0118		
11		71233-0120		
12		71233-0122		

(PASSIVE LOCK, TRAY PACK)

POSITIVE LOCK VERSION SHOWN



PASSIVE RAMP



# HOUSINGS WITHOUT PEGS

SIZE	STAT	ASSEMBLY ITEM NUMBER	PLATING SEE NOTE 4
2		71233-0201	TIN OVERALL
3		71233-0203	
4		71233-0205	
5		71233-0207	
6		71233-0209	
7		71233-0211	
8		71233-0213	
9		71233-0215	30 GOLD
10		71233-0217	
11		71233-0219	
12		71233-0221	
2		71233-0301	
3		71233-0303	
4		71233-0305	
5		71233-0307	
6		71233-0309	
7		71233-0311	
8		71233-0313	
9		71233-0315	
10		71233-0317	
11		71233-0319	
12		71233-0321	

(POSITIVE LOCK, TRAY PACK)

SIZE	STAT	ASSEMBLY ITEM NUMBER	PLATING SEE NOTE 4
2		71233-0202	TIN OVERALL
3		71233-0204	
4		71233-0206	
5		71233-0208	
6		71233-0210	
7		71233-0212	
8		71233-0214	
9		71233-0216	
10		71233-0218	
11		71233-0220	
12		71233-0222	
2		71233-0302	
3		71233-0304	
4		71233-0306	
5		71233-0308	
6		71233-0310	
7		71233-0312	
8		71233-0314	
9		71233-0316	
10		71233-0318	
11		71233-0320	
12		71233-0322	

(PASSIVE LOCK, TRAY PACK)

LTR.	REVISIONS	LTR.	REVISIONS	DIMENSIONS SHOWN (METRIC) INCH UNLESS OTHERWISE SPECIFIED TOLERANCES: ANGULAR ± 1/2° 3 PLACE ± .005 2 PLACE ± .01 ± 0.13 1 PLACE --- ± 0.25 DRAFT WHERE APPLICABLE MUST REMAIN WITHIN DIMENSIONS DRWG. BY: RWB APP'D. BY: FAH CHK'D. BY: PAR SCALE:	REVISE ONLY ON CAD SYSTEM TITLE: SINGLE ROW MINI-FIT HEADER RIGHT ANGLE, BLIND MATE, THRU-HOLE SALES ASSEMBLY FROM: MOLEX INCORPORATED L1SLE,ILL. 60532 SHEET NO. 3 DATE 08/02/93 PART NO. SEE CHART DRWG. NO. SDA-71233-**** FILE NAME: 571233P3.DEN THIS DRAWING CONTAINS INFORMATION THAT IS PROPRIETARY TO MOLEX INC. AND SHOULD NOT BE USED WITHOUT WRITTEN PERMISSION.
------	-----------	------	-----------	--	---